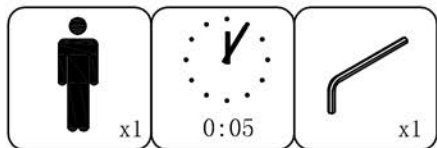
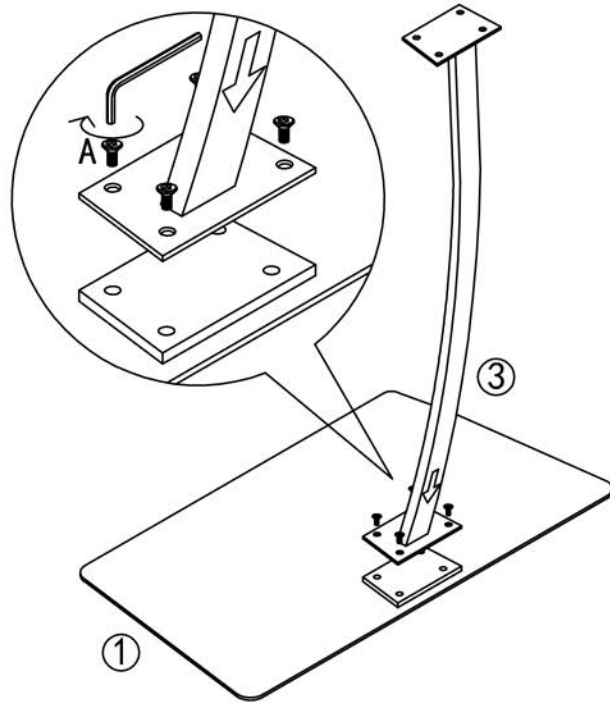


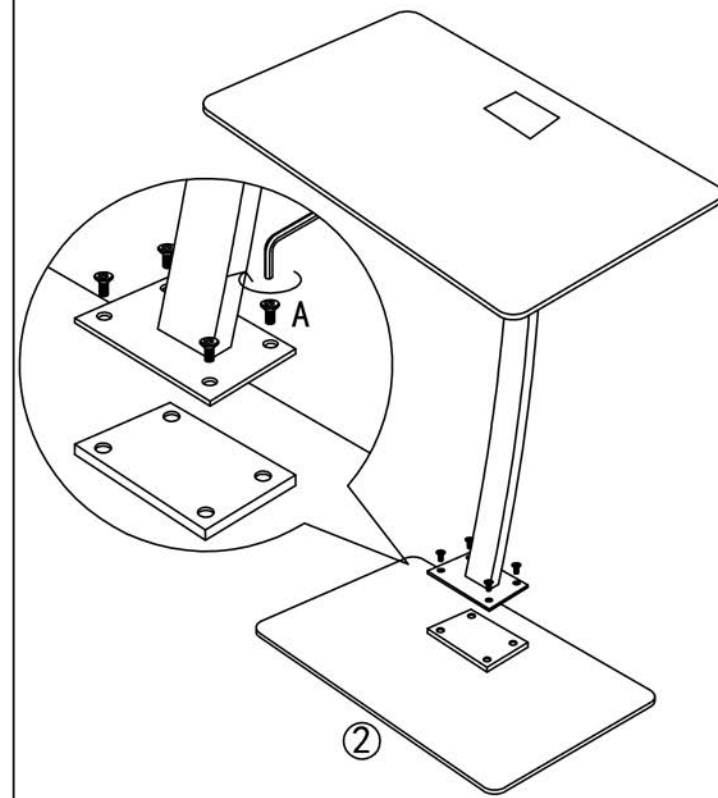
# CT.368 LAP



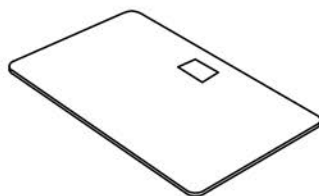
**1**



**2**

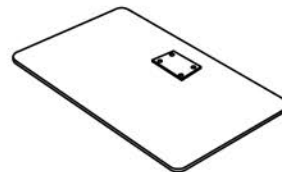


① 480X320MM



X1

② 390X300MM



X1

③



X1